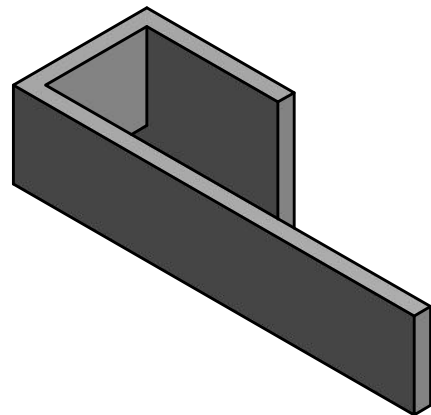
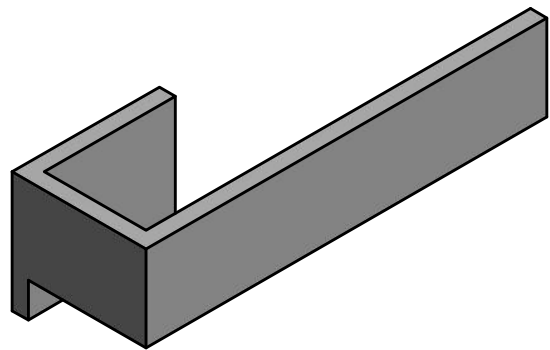
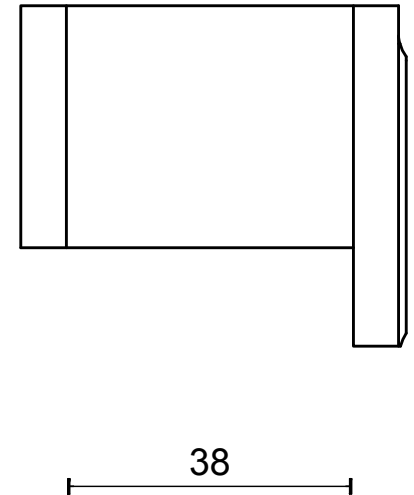
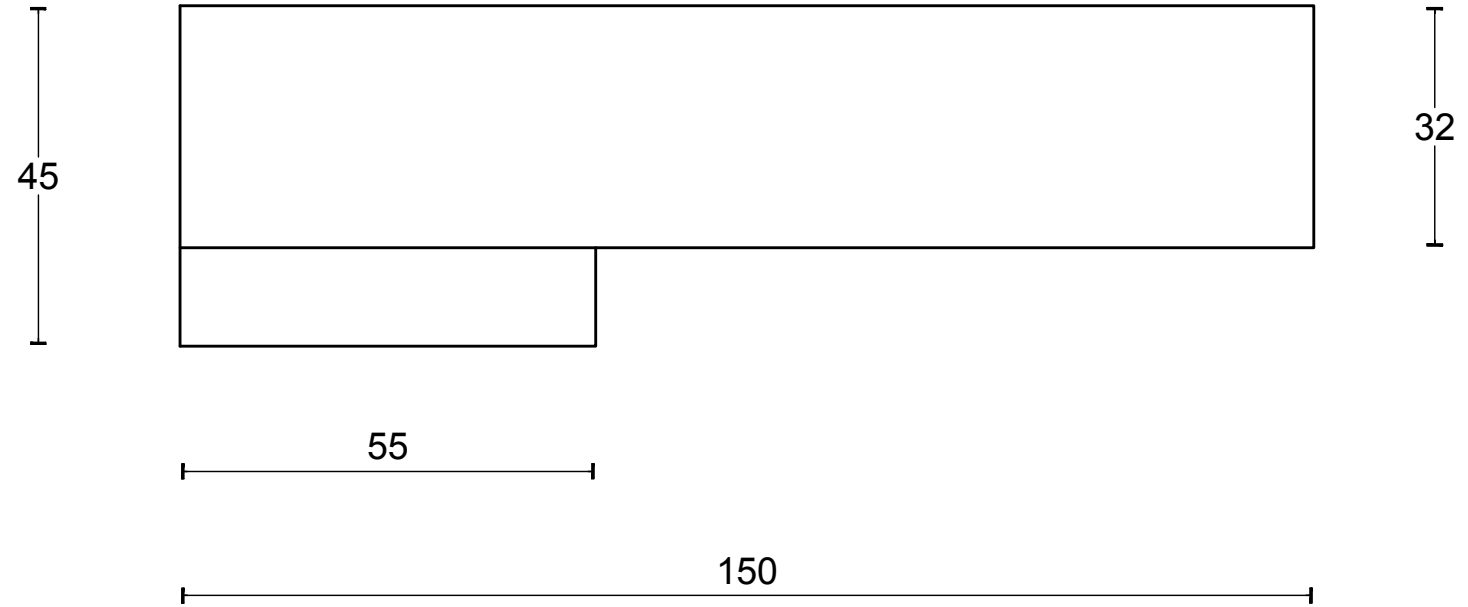
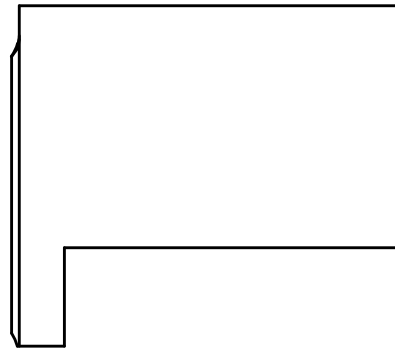
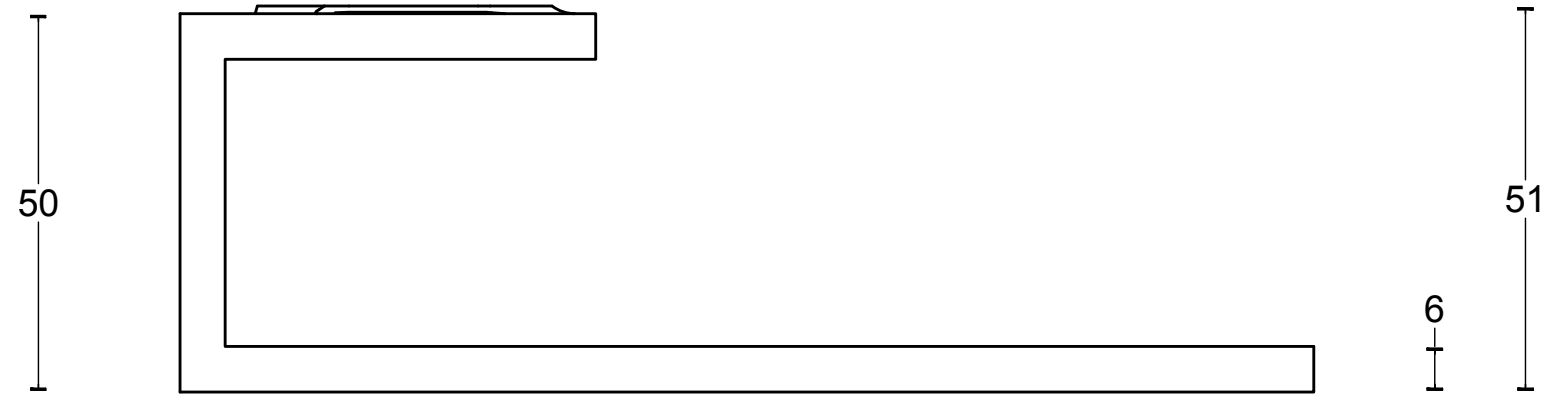


BM101

lever handle
stainless steel



FORMANI®		Part number:	
		Description:	
Doc no.: 3201D002 BM101 V03.dwg	BM101		Format:
Drawn by: Christian Brimbois			Creation date: 24-3-2014
Formani Holland B.V. · Amerikalaan 55 · 6199 AE Maastricht Airport · tel: +31 (0)43 308 90 00 · www.formani.nl · info@formani.nl			