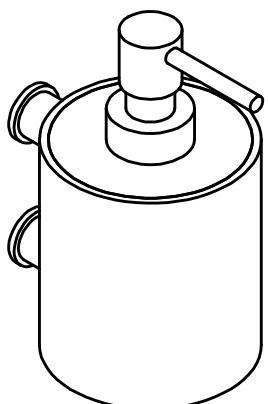
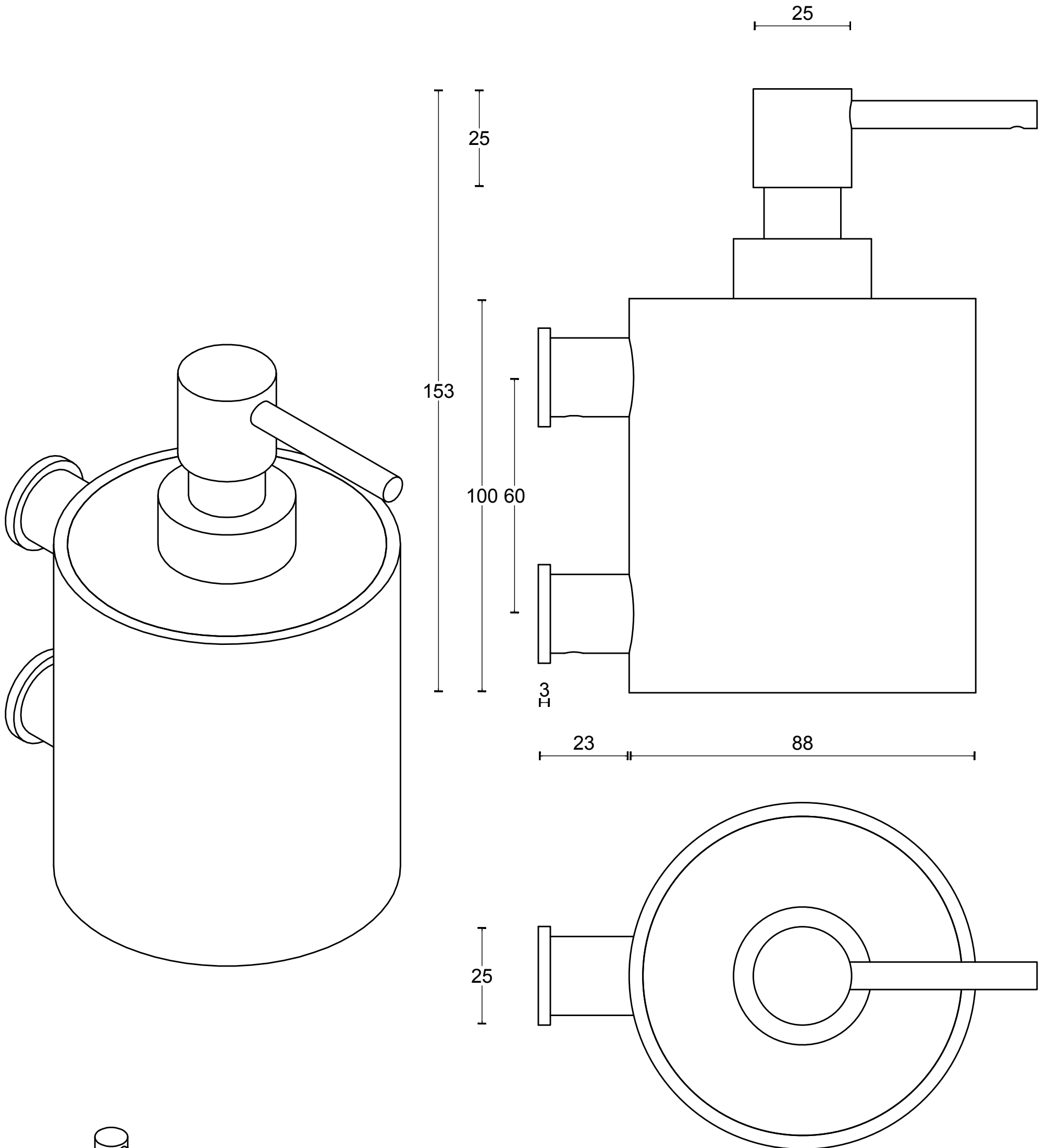


PB503

soap dispenser
for wall mounting
stainless steel AISI 316/corion®



<h1>FORMANI®</h1>		Part number:	
		Description:	
Doc no.:	2706A041 PB503 V02.dwg	<h2>PB503</h2>	Format:
Drawn by:	Christian Brimbois		Creation date:
FORMANI HOLLAND B.V. EUROPALAAN 12 6199 AB MAASTRICHT-AIRPORT NL T +31 (0)43 308 90 00 INFO@FORMANI.COM FORMANI.COM			

A3