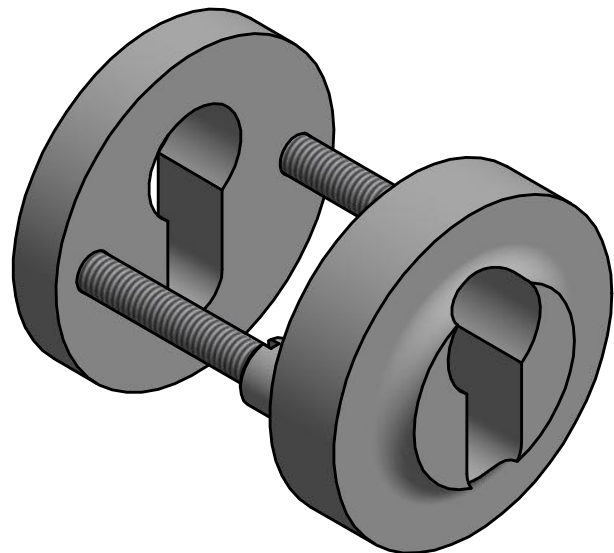
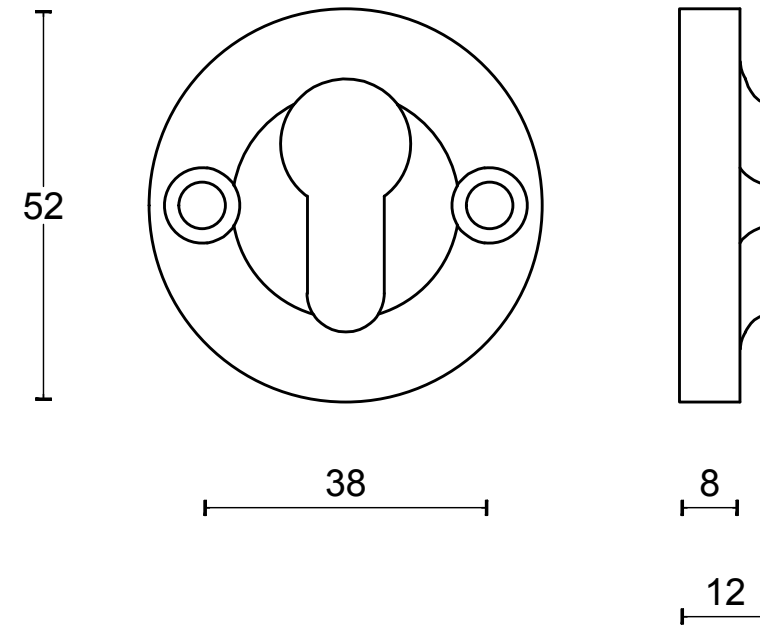
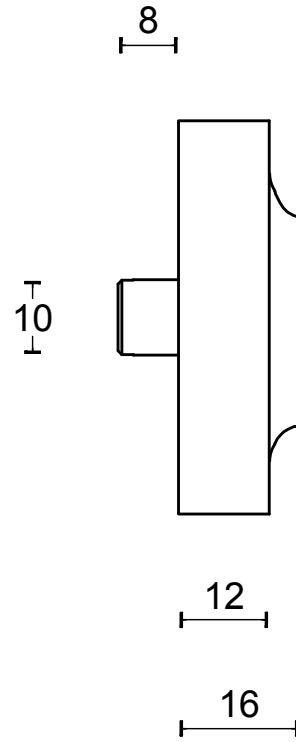
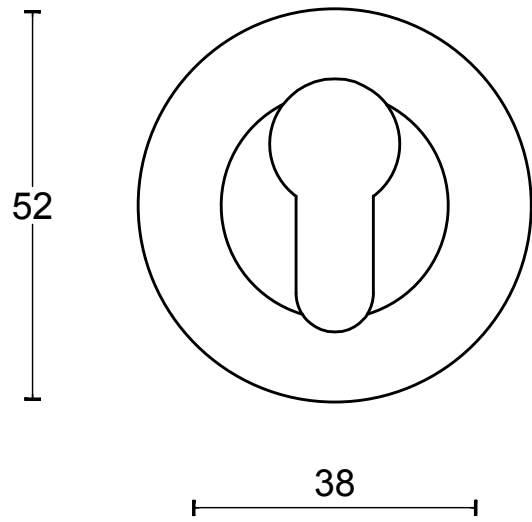
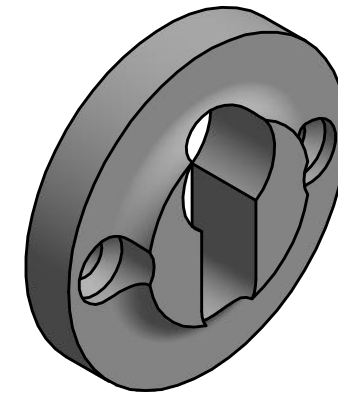
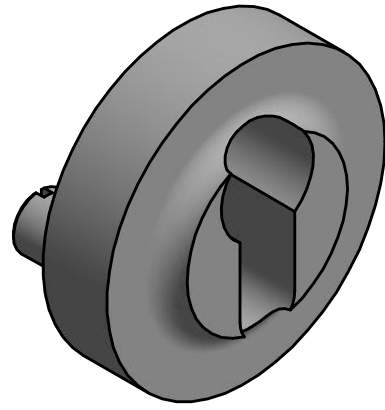


FV-VEIL

security escutcheon
stainless steel



<h1>FORMANI®</h1>		Part number:	
		Description:	
Doc no.:	1502SR30 FV-VEIL V02.dwg	<h2>FV-VEIL</h2>	
Drawn by:	Christian Brimbois		
FORMANI HOLLAND B.V. EUROPALAAN 12 6199 AB MAASTRICHT-AIRPORT NL T +31 (0)43 308 90 00 INFO@FORMANI.COM FORMANI.COM		A3	