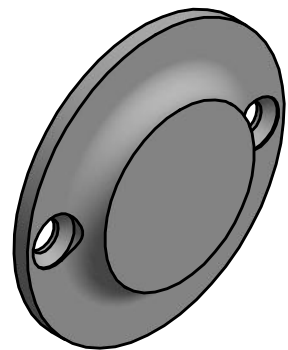
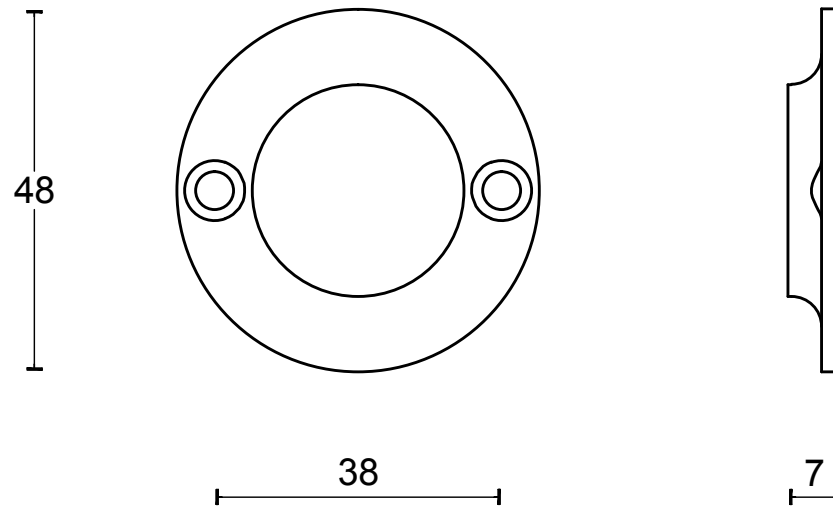


FVB48

blank escutcheon
stainless steel



| | | | |
|---|-------|--------------|---------|
| FORMANI® | | Part number: | |
| | | Description: | |
| Doc no.: 1501R030 FVB48 V02.dwg | FVB48 | | Format: |
| Drawn by: Christian Brimbois Creation date: 22-8-2017 | | | A3 |
| FORMANI HOLLAND B.V. EUROPALAAN 12 6199 AB MAASTRICHT-AIRPORT NL T +31 (0)43 308 90 00 INFO@FORMANI.COM FORMANI.COM | | | |